

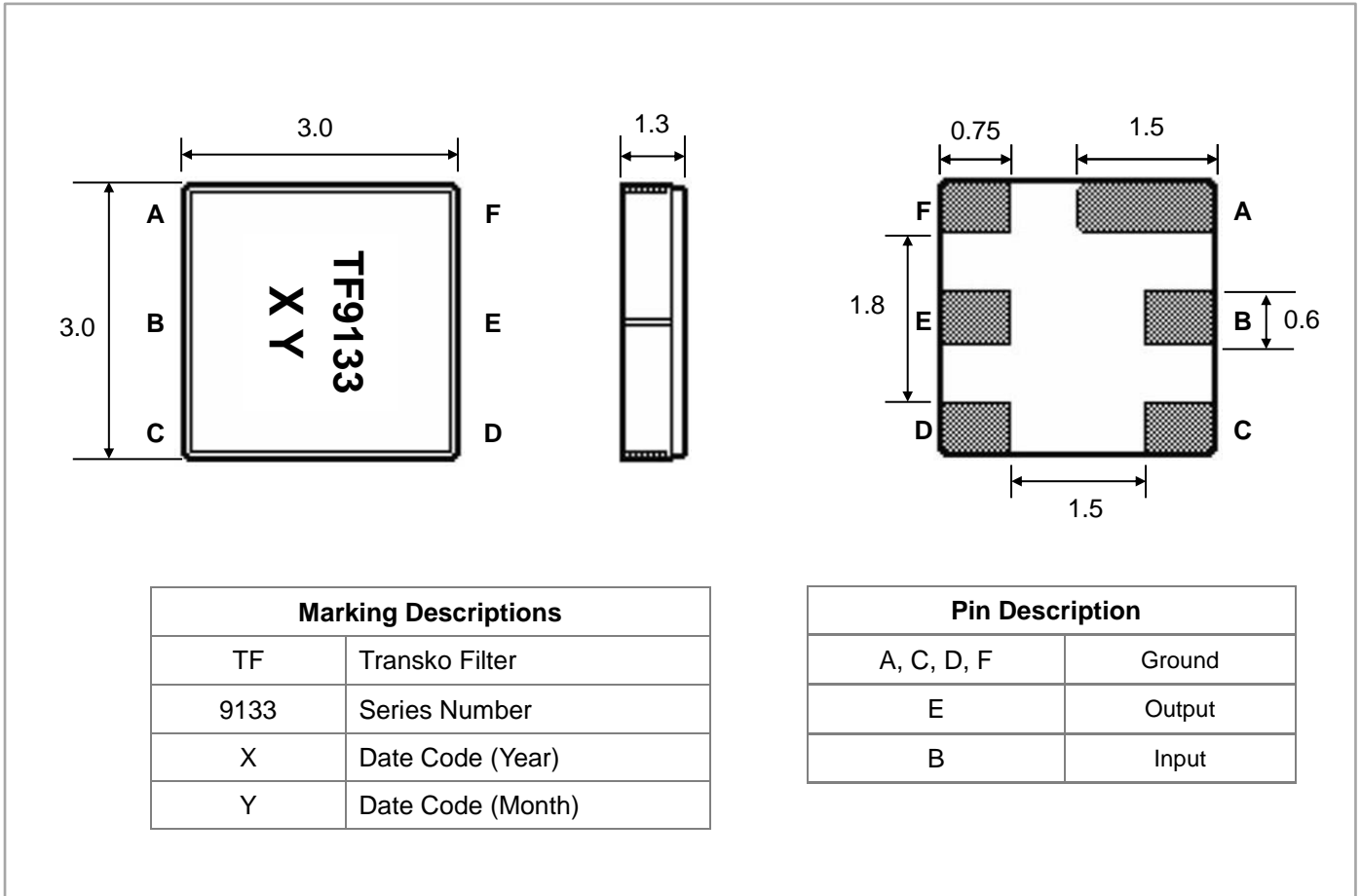
- RF SAW Filter
- Revision 0: March 2016

Electrical Characteristics

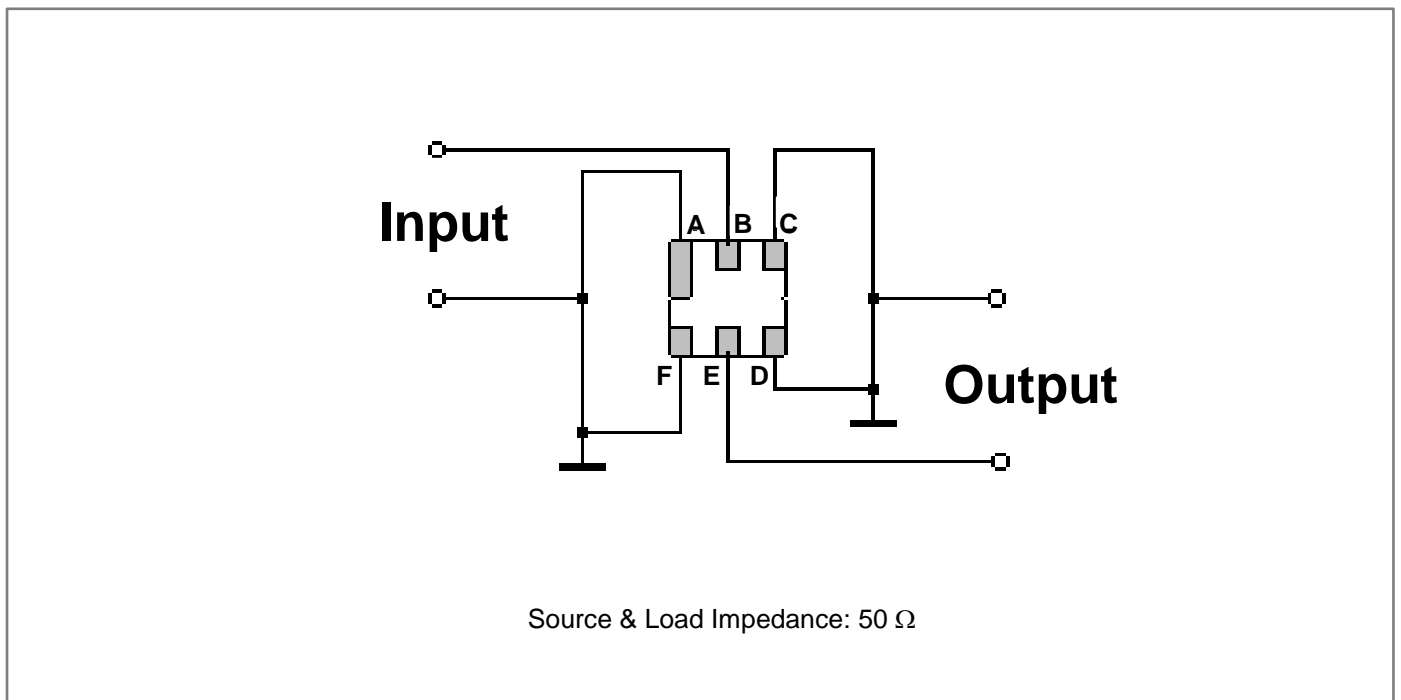
MAXIMUM RATING				
PARAMETERS DESCRIPTION	UNIT	MINIMUM	TYPICAL	MAXIMUM
Operating Temperature Range	°C	-10	-	+65
Storage Temperature Range	°C	-40	-	+85
Maximum DC Voltage	V	-	-	0
Maximum Input Power	dBm	-	-	5
Source Impedance (single ended) ⁽¹⁾	Ω	-	50	-
Load Impedance (single ended) ⁽¹⁾	Ω	-	50	-
Package type & size	M			
Length x Width	mm ²	-	3.0 x 3.0	-
Height	mm	-	-	1.3

ELECTRICAL SPECIFICATION				
PARAMETERS DESCRIPTION	UNIT	MINIMUM	TYPICAL	MAXIMUM
Center Frequency (Fo)	MHz	-	1847.500	-
Insertion Loss at Fo @ 1815.00 ~1880.00 MHz	dB	-	3.0	4.0
Amplitude Ripple @ 1815.00 ~1880.00 MHz	dB	-	1.0	1.5
Absolute Attenuation:				
10 ~1500.00 MHz	dB	20	25	-
1500.00 ~1795.00 MHz	dB	10		-
1920.00 ~2100.00 MHz	dB	20	30	-
2100.00 ~3000.00 MHz	dB	20	25	-

Package Dimensions



Testing Environment



Frequency Characteristics

Frequency Response

